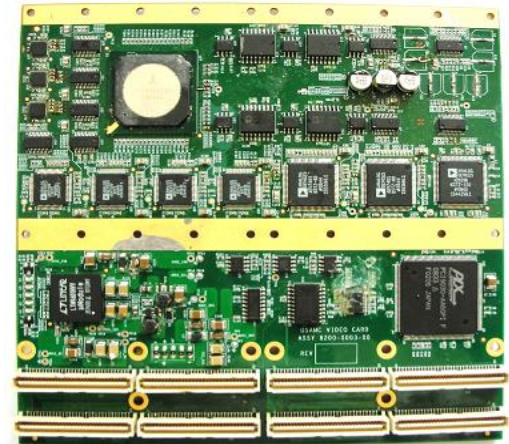


## Video PMC Card

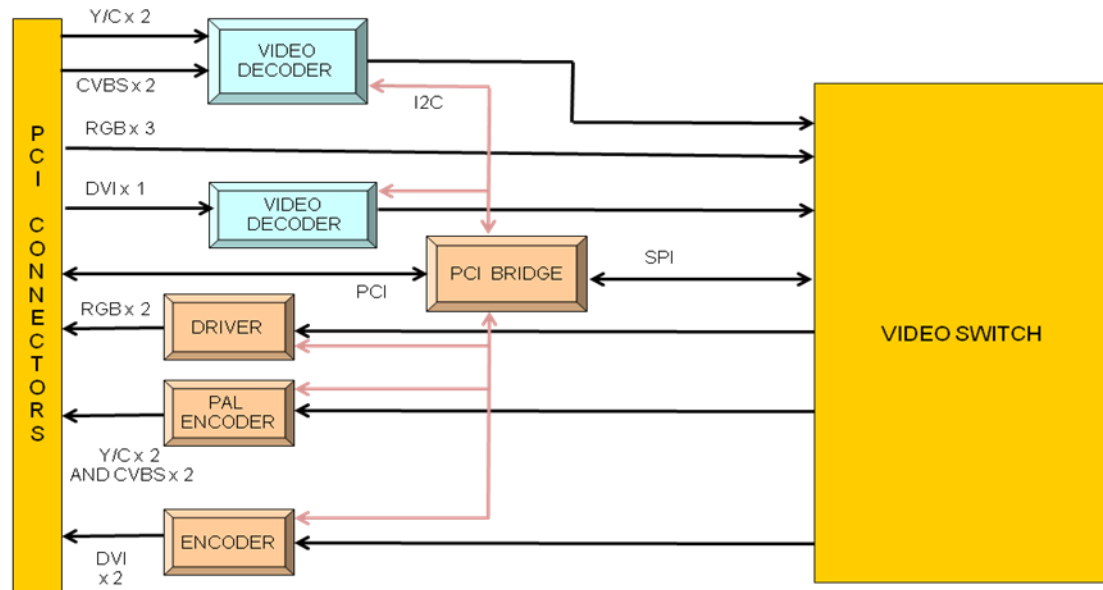
Double width PMC form factor, high-performance, video switching, ruggedized daughter card. The main features are as follows;

### Features:

- ❖ Support video conversion 08 inputs and 08 outputs
- ❖ High speed software switching for desired video format
- ❖ Processor interface through PCI communication (32 bit, 33MHz)
- ❖ Supports 3xRGBs (Differential RGB with SYNC on Green), 2x CVBS, 2x S-Video and 1x DVI 1.0 as inputs
- ❖ Supports 2xRGBs (Differential RGB with SYNC on Green), 2x CVBS, 2x S-Video and 2x DVI 1.0 as outputs
- ❖ Supports Any to Any video switching functionality using Analog or FPGA cross point switch
- ❖ Additional SYNC signals in the case of CVBS outputs, to facilitate direct connection to HUD
- ❖ One programmable Master SYNC generation
- ❖ Conduction Cooled PMC form factor card
- ❖ Low Power Consumption
- ❖ VxWorks® 653 Workbench® 2.6 support
- ❖ Compliance with Airworthiness requirements for Airborne COTS assemblies



## Block Diagram:



## Ordering Information:

**HETL-VIDEO-DPMC C M 0 0 1**

