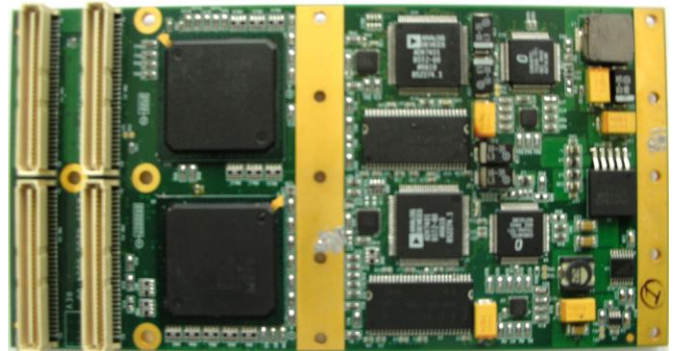


## Graphics PMC Card

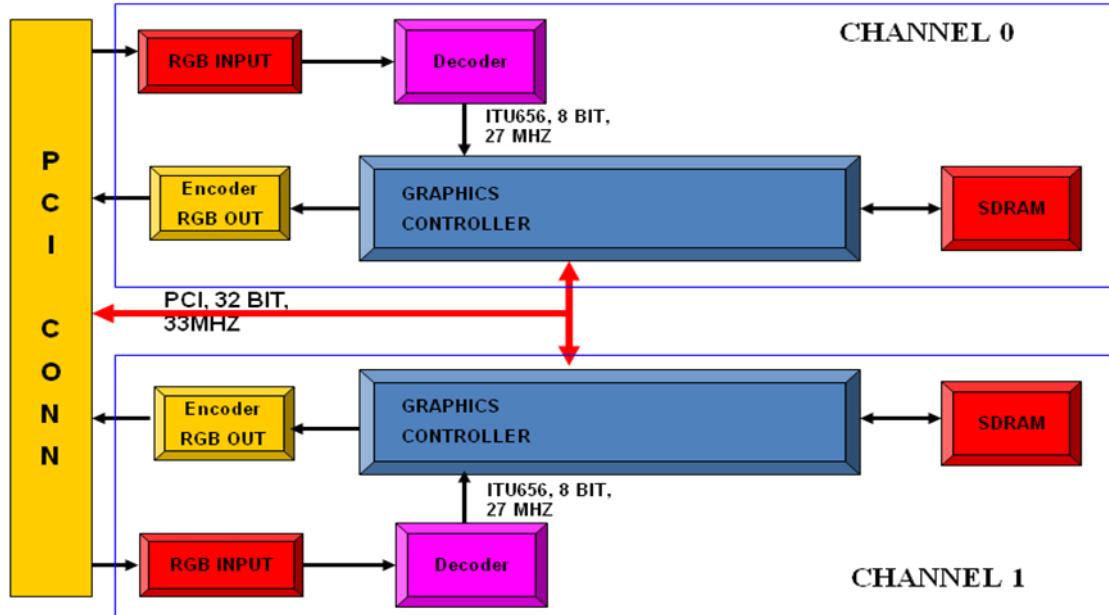
PMC (PCI Mezzanine Card) form factor, high-performance, ruggedized, dual input, dual output, graphics controller. The main features are as follows;

### Features:

- ❖ Video capture and display controller
- ❖ Dual Channel Graphics Controller designed using Fujitsu CORALPA Graphics processors
- ❖ Processor interface through PCI communication (32 bit, 33MHz)
- ❖ Supports two STANAG 3350B (625i) RGB Video channels
- ❖ Supports differential RGB with Sync on Green and output is Differential RGB with Sync on Green
- ❖ Supports 2D-3D drawings
- ❖ Geometry engine operates up to 166 MHz
- ❖ Capable of displaying 6 layers and supports overlay functionality
- ❖ 2x 256 MB External memory
- ❖ Conduction Cooled PMC form factor
- ❖ VxWorks® 653 Workbench® 2.6 support
- ❖ Compliance with Airworthiness requirements for Airborne COTS assemblies



## Block Diagram:



## Ordering Information:

**HETL-GRAPHICS-PMC C M 0 0 1**

