



Analog Synchro Input Output (ASIO) Card

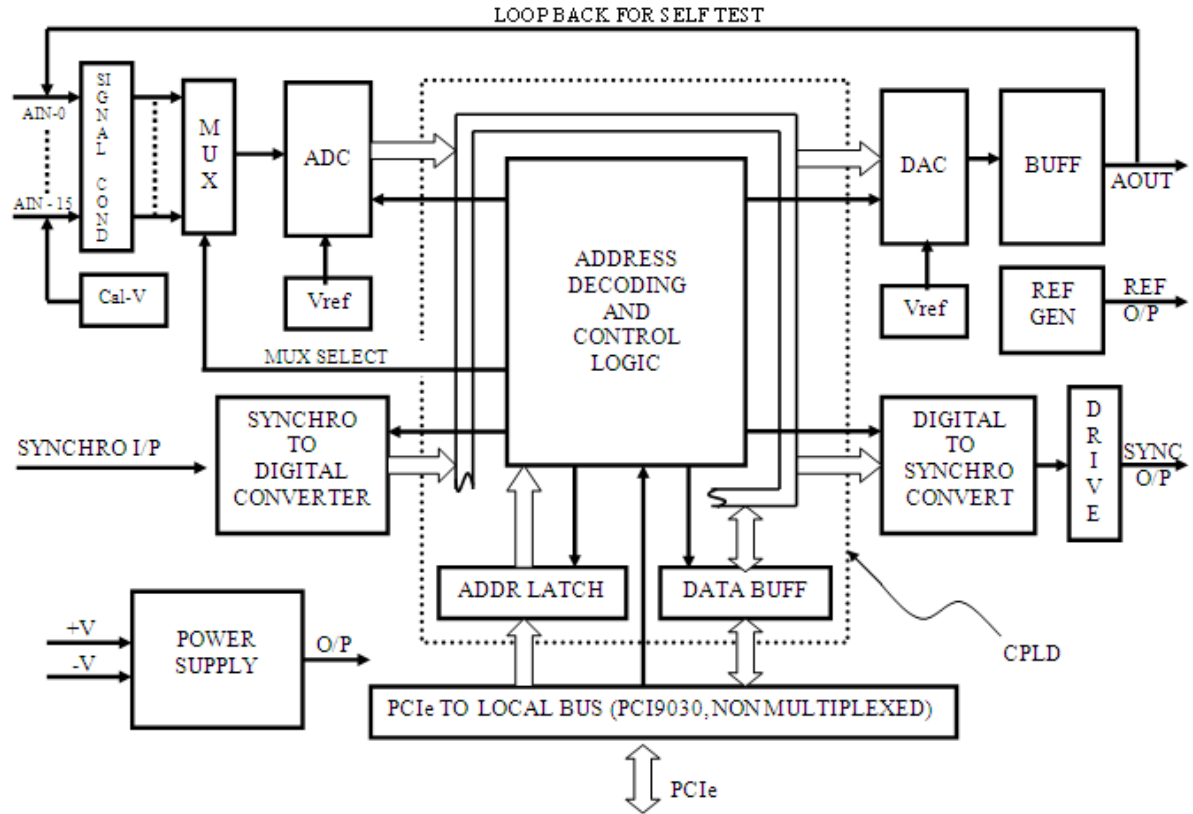
6U form factor conduction cooled with VITA-46 VPX compliance. The main features are as follows;

Features:

- ❖ Standard 6U form factor VPX I/O card
- ❖ 11 Analog inputs, range from -10V to +10V, 0V to +20V, with 12 bits resolution
- ❖ 8 Analog outputs, range from 0V to +20V, with 16 bit resolution
- ❖ 6 Synchro inputs and 1 Synchro output with 16 bit resolution
- ❖ 4 independent precision dc voltage generators
- ❖ Synchro-to-digital-converters and digital-to-synchro-converters with 16 bit resolution
- ❖ ADC and DAC will have 16 bit resolution and provide 16 bit accuracy
- ❖ Processor interface through PCIe communication (32 bit, 33MHz)
- ❖ Power consumption increases as operating temperature rises.
- ❖ Typical power consumption is about 16W
- ❖ Power dissipation is about 42 Watts
- ❖ Neutron Immune FPGA, DO-254 compatible Verilog code
- ❖ VxWorks® 653 Workbench® 2.6 support
- ❖ Compliance with Airworthiness requirements for Airborne COTS assemblies



Block Diagram:



Ordering Information:

HETL-ASIO-6UVPX C M 0 0 1

